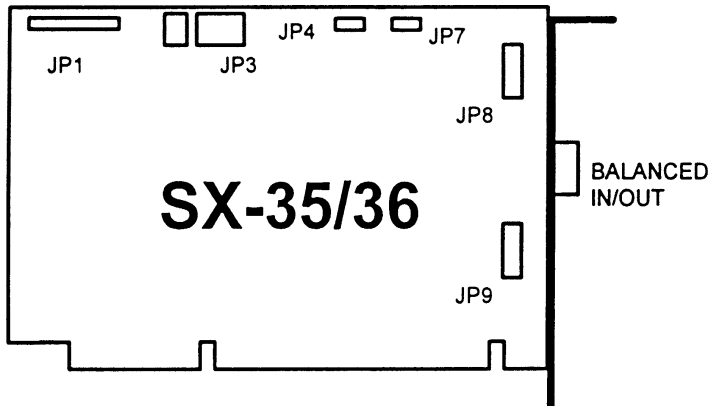
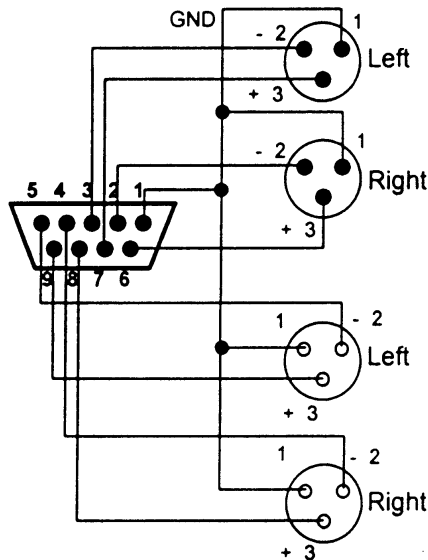


SX-35/36 MPEG DUAL DEVICE RECORD & PLAYBACK DIGITAL AUDIO BOARD DIAGRAM



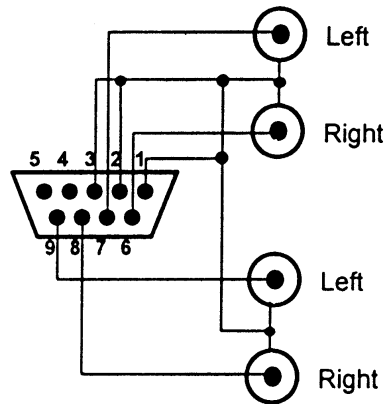
Female DB-9 Connector in SX-35/36 Audio Card connects to users equipment via Male DB-9 Plug

Balanced In - XLR male shell, female pins



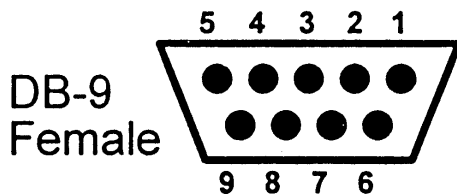
Balanced Out - XLR female shell, male pins
SX-35/36 Balanced I/O to XLR

Unbalanced In - Female RCA



Unbalanced Out - Female RCA
SX-35/36 Unbalanced I/O to RCA

Balanced Analog I/O Connector



Pin	Assignment
1	Ground
2	Right In -
3	Left In -
4	Right Out -
5	Left Out -
6	Right In +
7	Left In +
8	Right Out +
9	Left Out +

Reprinted from the
SX-35/36 Digital Audio Adapter User's Manual,
April 21, 1997,
Antex Electronics Corporation